

RoHS COMPATIBLE PRODUCT NUMBER  
54111-XXXXXXXXLF

STANDARD PRODUCT NUMBER  
54111-XXX-XX-XXXX

- PLATING
- 1 = 0.76µm GOLD/GXT ON CONTACT AREA  
2µm MIN MATTE TIN ON TAIL  
OVER 1.27µm Ni MIN
  - 8 = 0.38µm GOLD/GXT ON CONTACT AREA  
2µm MIN MATTE TIN ON TAIL  
OVER 1.27µm Ni MIN
  - 4 = 2µm MIN MATTE TIN  
OVER 1.27µm Ni MIN

INDICATES THE PRODUCT IS RoHS COMPATIBLE  
SEE NOTE 8

STACK HEIGHT  
NOTE 6

TOTAL NB OF POSITIONS  
02 TO 36

- PLATING
- 1 = 0.76µm GOLD/GXT ON CONTACT AREA  
3.81µm TIN/LEAD ON TAIL  
OVER 1.27µm Ni MIN
  - 8 = 0.38µm GOLD/GXT ON CONTACT AREA  
3.81µm TIN/LEAD ON TAIL  
OVER 1.27µm Ni MIN
  - 4 = TIN LEAD  
OVER 1.27µm Ni MIN

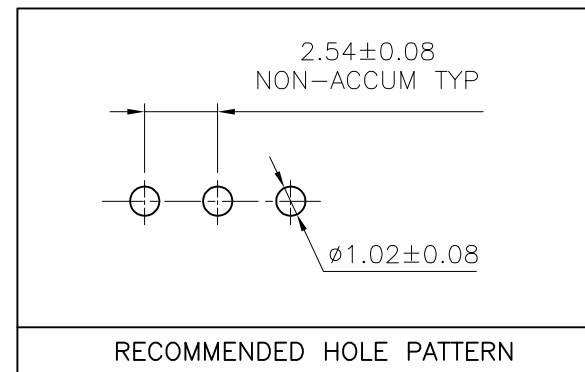
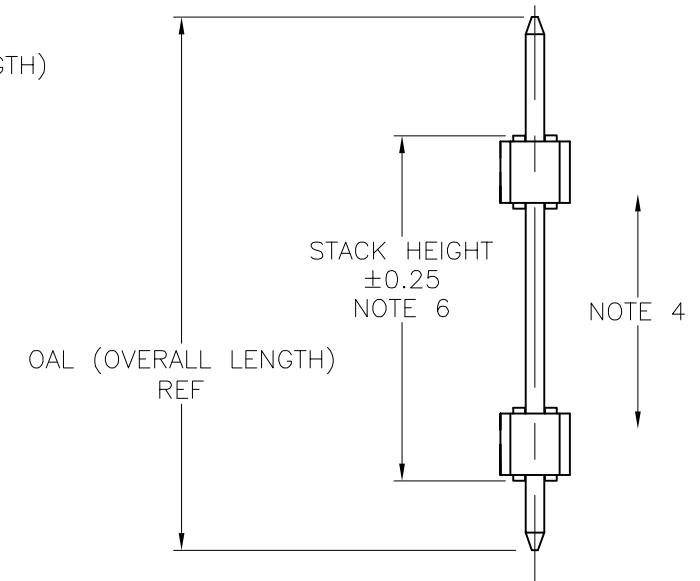
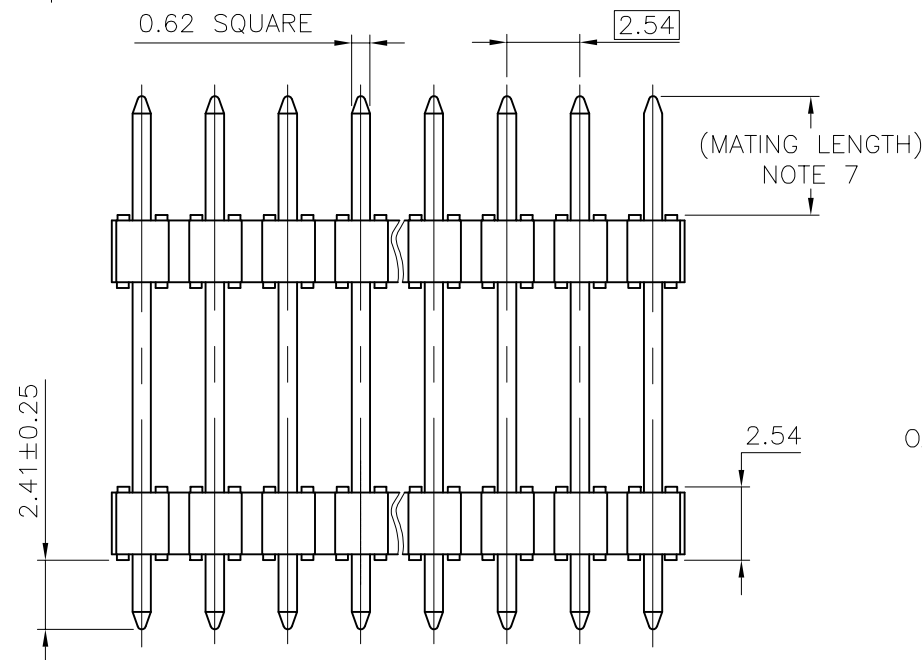
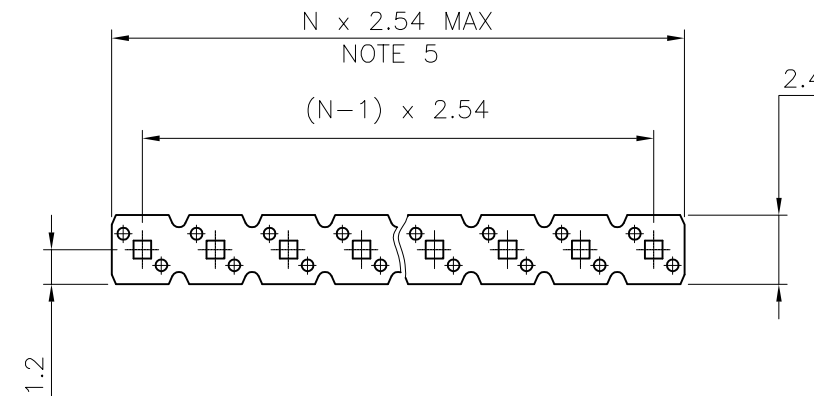
STACK HEIGHT  
NOTE 6

TOTAL NB OF POSITIONS  
02 TO 36

NOTES:

1. HOUSING MAT'L : HIGH TEMPERATURE THERMOPLASTIC. UL94V-0 COLOR: BLACK
2. PIN MATERIAL : PHOSPHOR BRONZE
3. PRODUCT PACKAGED IN PLASTIC BOX
4. 9N MIN RETENTION IN EITHER DIRECTION
5. TO DETERMINE DIMENSIONS :  
N = NUMBER OF POSITIONS PER ROW  
EXAMPLE : 8 POS PER ROW, N x 2.54 = 20.32mm
6. XXXX = MILLIMETERS  
SPECIFY MILLIMETERS  
8mm MIN TO 25.0mm MAX AVAILABLE  
IN 0.5mm INCREMENT  
EXAMPLE FOR STACK HEIGHT: 1 2 5 0 = 12.5mm
7. MATING LENGTH = (OAL)-(2.41)-(STACK HEIGHT)
8. RoHS COMPATIBLE PRODUCT SPECIFICATIONS
  - a - PLATING:
    - "LF" MEANS THE PRODUCT IS LEAD-FREE, 2µm MINIMUM MATTE TIN OVER 1.27µm MINIMUM NICKEL UNDERPLATE.
  - b - MANUFACTURING PROCESS COMPATIBILITY
    - THE HOUSING WILL WITHSTAND EXPOSURE TO 260°C ±5°C SOLDER BATH TEMPERATURE FOR 5 SECONDS IN A WAVE SOLDER APPLICATION WITH A 1.6mm MIN THICK CIRCUIT BOARD.
  - c - LABELLING:
    - MEETS PACKAGING SPECS AS PER GS-14-920
  - d - THIS PRODUCT MEETS EUROPEAN UNION DIRECTIVES AND OTHER COUNTRY REGULATIONS AS DESCRIBED IN GS-22-008

PIN STYLE	OAL
01	12.2
02	13.5
03	15.9
04	16.76
05	17.65
06	18.91
07	20.96
08	23.5
09	26.04
10	28.58
11	31.12
12	33.66
13	34
14	26.42
15	16.56
16	36.2
18	28



mat'l. code SEE NOTES				surface ISO 1302 ✓		tolerance ISO 406 ISO 1101		projection mm		product family BERGSTIK	
ltr	ecn no	dr	date	tolerances unless otherwise specified		x.x ±0.3		mm		title UNSHR.HEADER STR SR TMT	
A	F10119	DLE	01.01.24	angles		x.xx ±0.13		scale 4:1		dwg no 54111	
B	F10305	JCO	01.05.03	linear		x.xxx ±0.05		FCJ		sheet 1 of 1	
C	F03-0227	DLE	03.06.13							size A3	
D	F04-0385	LMU	04.12.16	dr	D.LE	01.01.24					
E	F06-0196	LMU	06.06.13	enr	JM.C	01.01.24					
F	F08-0148	RTR	08.03.31	chr	JM.C	01.01.24					
				appd	JF.N	01.01.24					
sheet index		revision sheet								type CUSTOMER Drawing	